

TRANSFORMER GIN

Updated Product



US Tool Transformer Gin

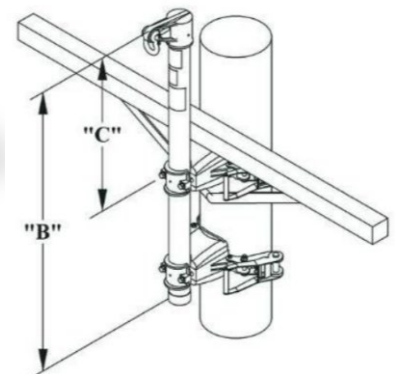
- Fiberglass Re-Enforced Plastic (FRP), Homogeneous unicellular thermosetting foam filled mast and Beam material
- Handles are made of Lightweight Fiberglass
- The standard base unit is designed for attachment on transparent pole sections.
- Prevent deterioration due to environmental factors.
- Allows bridge mounting up to 4" x 5" crossarm.
- Quick rotation around the pole for cluster mounting
- Compliant with relevant electrical safety standards and regulations

UST-GT4-36

STANDARD PARAMETER

Mounting	4"x5"
Shafts	Fiberglass shafts
Chain/Strap Length	36"
Gin Metal	Fittings are high strength aluminum alloy
Max Working Load	2000 lbs. (907.2 Kgs)
Standard	ASTM F711

Discover the pinnacle of transformer gin technology with the equipment. Engineered with precision and reliability, it ensures optimal electrical performance, making it an essential component for your industrial needs. Maximum working load of 2000 lbs. provides of quick mounting with a screw type, spring loaded chain



Note: For Quality Reason, we have the right to change the color or design of the tools without any prior notice.

